



JOHNSON & STARLEY



B SERIES WARM AIR HEATERS

B Series Warm Air Heaters

The recently introduced B Series range of heaters is available in 5 models: B12, B17, B23, B28 and B34. Each of the models is available as either an Upflow or Downflow version, with outputs ranging from 12kW (41,000 Btu) to 36kW (123,000 Btu). The heaters are suitable for installation in large houses, shops, factories and offices — wherever a ducted air system is required.

B Series units are ideal for replacement situations. Front flued, they are capable of replacing the many old front flued industrial and commercial heaters in need of updating to modern standards of performance and cost efficiency. The units are quiet running and very reliable.

TECHNICAL DATA

Gases: Natural

Propane (By special order)

Gas Connection: ½ BSP

Gas Cock: ½ BSP

Electrical Supply: 220-240V 50Hz

Fuse Rating: 5A

Room Thermostat: Honeywell 24V T822D (Supplied)

Fan: Centrifugal, Direct Drive

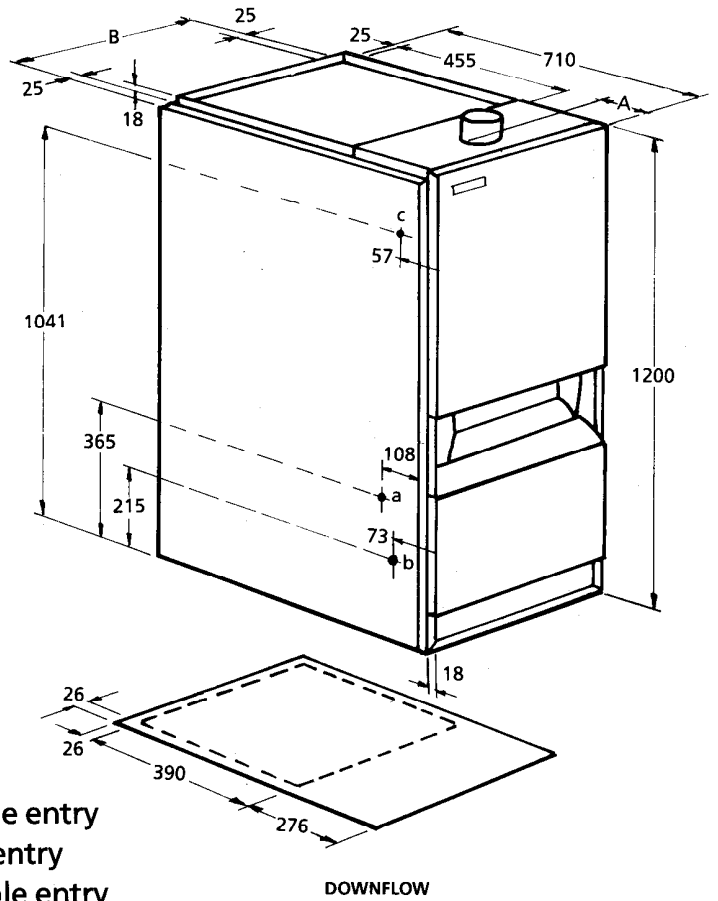
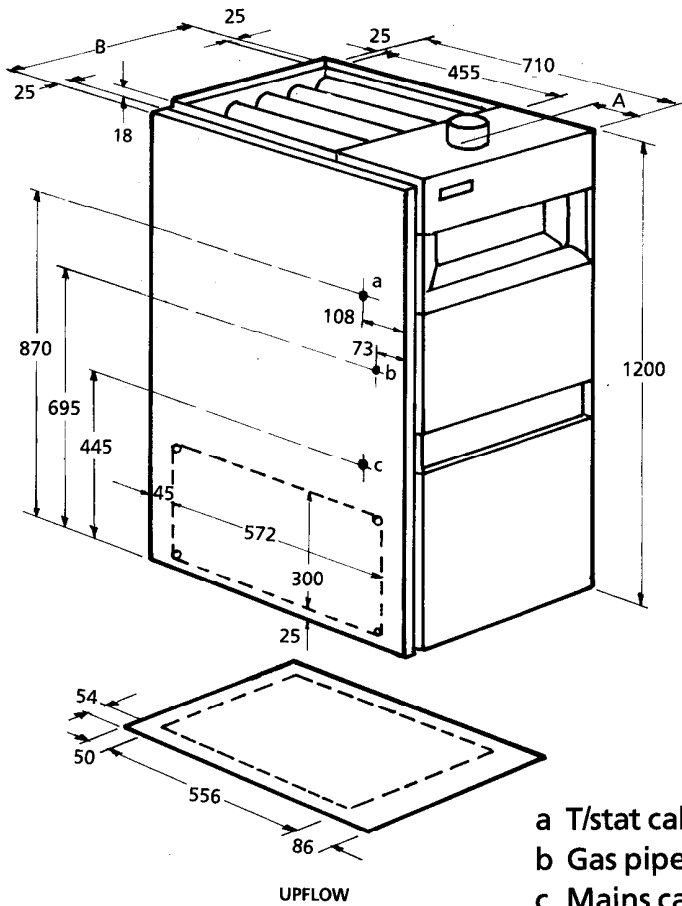
Fan Speed Control: Autotransformer — 10V Steps

Cabinet: White Stove Enamelled

HOW TO ORDER

For Upflow provide model number e.g. B23

For Downflow provide model number and suffix D
e.g. B23D



a T/stat cable entry
b Gas pipe entry
c Mains cable entry

DIMENSIONS: mm (inches)

	UPFLOW MODELS					DOWNFLOW MODELS				
Model:	B-12	B-17	B-23	B-28	B-34	B12D	B17D	B23D	B28D	B34D
HEIGHT	1200 (47)	1200 (47)	1200 (47)	1200 (47)	1200 (47)	1200 (47)	1200 (47)	1200 (47)	1200 (47)	1200 (47)
WIDTH 'B'	400 (15.7)	400 (15.7)	500 (19.7)	600 (23.6)	700 (27.6)	400 (15.7)	400 (15.7)	500 (19.7)	600 (23.6)	700 (27.6)
DEPTH	710 (28.0)	710 (28.0)	710 (28.0)	710 (28.0)	710 (28.0)	710 (28.0)	710 (28.0)	710 (28.0)	710 (28.0)	710 (28.0)
FLUE Dia.	100 (4)	130 (5)	130 (5)	150 (6)	150 (6)	100 (4)	100 (4)	130 (5)	150 (6)	150 (6)
DISTANCE 'A' (Flue to front of heater)	107 (4.2)	107 (4.2)	107 (4.2)	110 (4.3)	110 (4.3)	107 (4.2)	107 (4.2)	107 (4.2)	110 (4.3)	110 (4.3)

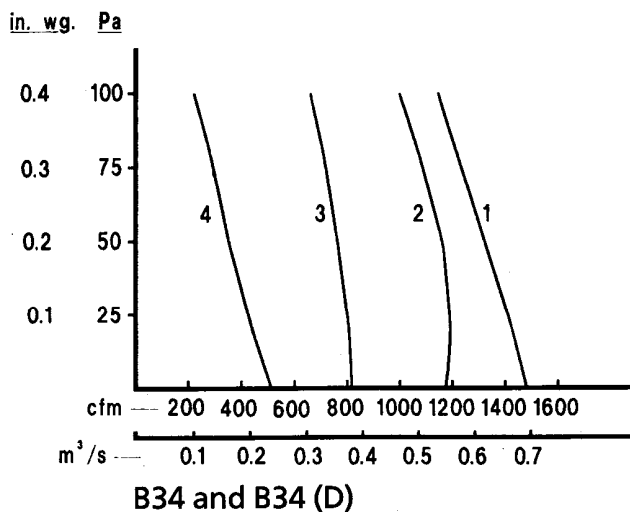
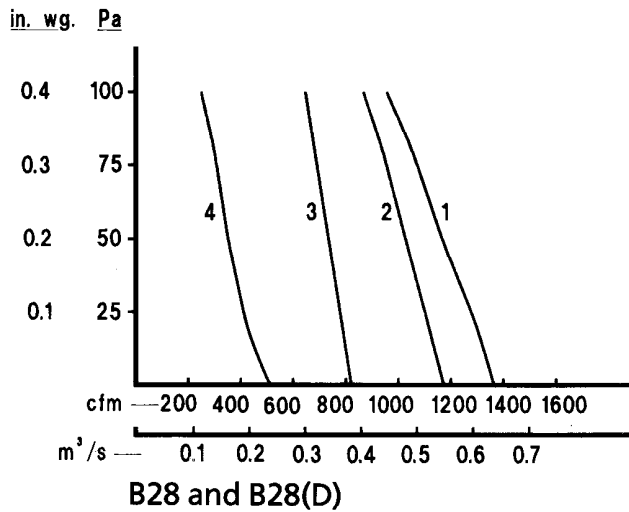
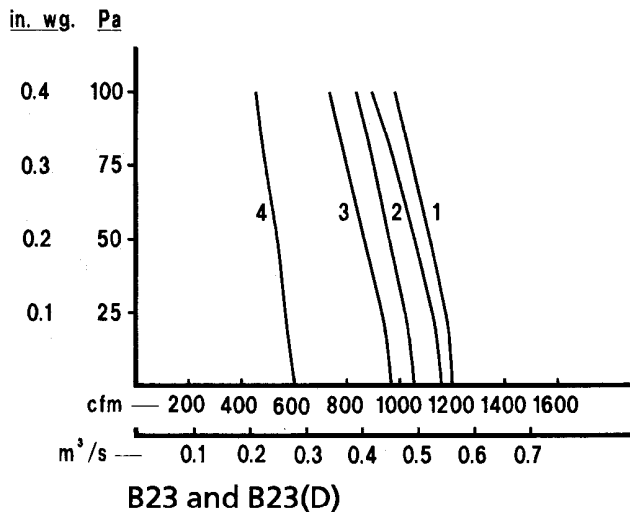
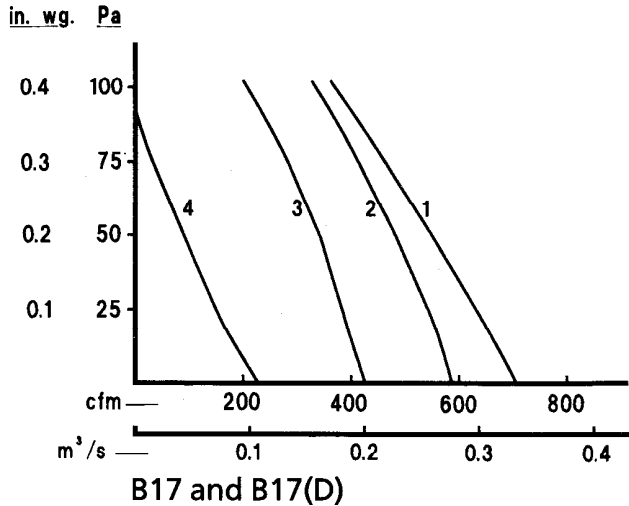
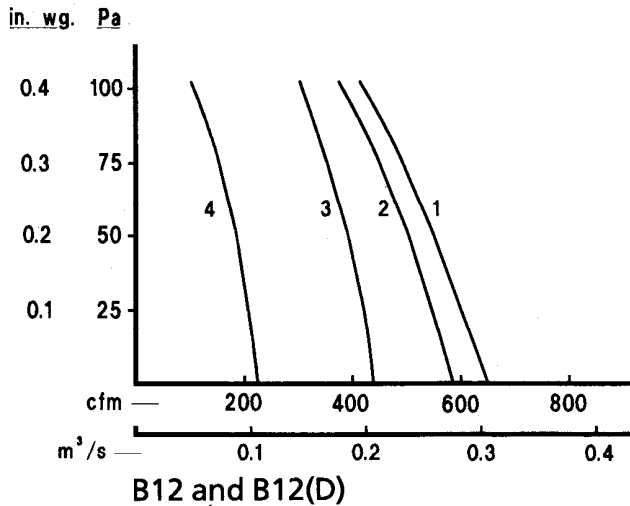
OTHER SPECIFICATIONS

	UPFLOW MODELS					DOWNFLOW MODELS				
Model:	B-12	B-17	B-23	B-28	B-34	B12D	B17D	B23D	B28D	B34D
HEAT INPUT										
kW	15.0	22.8	30.3	37.8	45.4	15.0	22.8	30.3	37.8	45.4
Btu/h	51,200	77,800	103,400	129,000	155,000	51,200	77,800	103,400	129,000	155,000
HEAT OUTPUT										
kW	12.0	18.0	24.0	30.0	36.0	12.0	18.0	24.0	30.0	36.0
Btu/h	41,000	61,500	82,000	102,000	123,000	41,000	61,500	82,000	102,000	123,000
POWER CONSUMPTION (Watts)										
	180	230	290	450	450	180	230	290	450	450
WEIGHT										
kg	89	92	110	127	143	92	95	113	130	146
lb	196	202	242	279	315	202	209	249	286	321

SPECIAL NOTES:

1. All upflow heaters (except B-12) are supplied with a twin walled oval/round adapter 300mm (12in) long. The flue diameter quoted above is the diameter of the outlet of this adapter.
2. The flue diameter for the B-17 (upflow) model may be reduced to 100mm (4.0 in), provided that the first metre of the flue is vertical.
3. When Air Cooling is required, special high powered fans are available. For details please contact Johnson & Starley Ltd. — Service Department.

FAN PERFORMANCE CURVES



- 1-220V
- 2-180V
- 3-140V
- 4-100V



JOHNSON & STARLEY

Rhosili Road, Brackmills, Northampton NN4 7LZ England
 Tel: 01604 762881 Fax: 01604 767408 www.johnsonandstarley.co.uk

Publication No. ZZ615/1
 January 1995

All details in this leaflet are accurate at the publication date. However, Johnson & Starley operate a policy of continuous product development and the right to change specifications without prior notice is reserved.